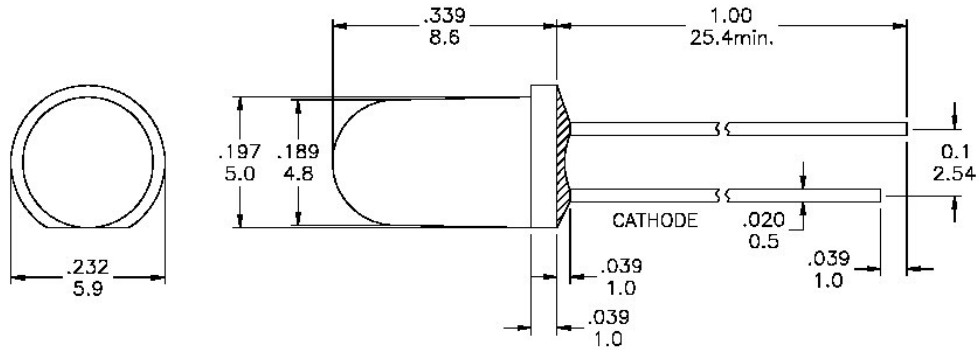


Micropto S.r.l.
www.micropto.com
 5mm Ultra White LED
 (GaN)

- MAIN FEATURES**
- ◆ 5.0mm DIA LED LAMP
 - ◆ POPULAR T-1 3/4, 1" LEAD
 - ◆ PRICE COMPETITIVE
 - ◆ LOW POWER CONSUMPTION

PACKAGE DIMENSION:



* Tolerance : $\pm \frac{0.01}{0.25}$ Unit : $\pm \frac{\text{inch}}{\text{mm}}$

Rev . 1.00

11/05/2002

Part No.	Chip		Lens Color	Wave		Absolute Maximum Ratings			Electro-Optical Characteristics					View	
	Raw	Emitted		Length		Pd	If	If	Vf(V)			If	Iv (mcd)		Angle
	Material	Color		X	Y	mW	mA	(Peak)	Min.	Typ.	Max.	(Rec)	Min.	Max.	(deg)
SS513NWC-10D	GaN	White	Water Clear	0.31	0.32	120	30	100		3.5	4.0	20	7200	11000	10

ABSOLUTE MAXIMUM RATING: (Ta=258C)

Reverse Voltage	: 5 Volt
Reverse Current(Vr = 5V)	: 100μA
Operating Temperature Range	: -20C to +80C
Storage Temperature Range	: -30C to +100C
Lead Soldering Temperature	: 260C for 3 Seconds
(1.6mm(1/16inch) from body)	

ELECTRO-OPTICAL CHARACTERISTICS: (Ta=258C)

Para meter Description	Symbol	Unit
Spectral Line half-Width	$\Delta\lambda$	nm
Power Dissipation	Pd	mW
Peak Forward Current (Duty 1/10, @KHz)	If (Peak)	mA
Recommended Operation Current	If (Rec)	mA
Average Luminous intensity (If = 20mA)	Iv	mcd