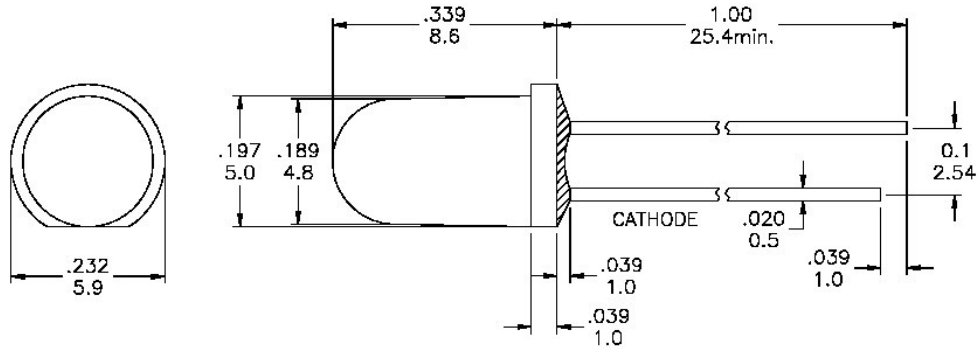


Micropto S.r.l.
www.micropto.com
5mm Ultra White LED
(GaN)

MAIN FEATURES

- ◆ 5.0mm DIA LED LAMP
- ◆ POPULAR T-1 3/4, 1" LEAD
- ◆ PRICE COMPETITIVE
- ◆ LOW POWER CONSUMPTION

PACKAGE DIMENSION:



* Tolerance : $\pm \frac{0.01}{0.25}$ Unit : $\pm \frac{\text{inch}}{\text{mm}}$

Part No.	Chip		Lens Color	Wave		Absolute Maximun Ratings			Electro-Optical Characteristics					View	
	Raw	Emitted		Length		Pd	If	If	Vf(V)			If	Iv (mcd)		Angle
	Material	Color		X	Y	mW	mA	(Peak)	Min.	Typ.	Max.	(Rec)	Min.	Max.	(deg)
SS513NWC-15D	GaN	White	Water Clear	0.31	0.32	120	30	100		3.5	4.0	20	6500	9200	15

ABSOLUTE MAXIMUN RATING: (Ta=258C)

Reverse Voltage	: 5 Volt
Reverse Current(Vr = 5V)	: 100μA
Operating Temperature Range	: -20C to +80C
Storage Temperature Range	: -30C to +100C
Lead Soldering Temperature	: 260C for 3 Seconds
(1.6mm(1/16inch) from body)	

ELECTRO-OPTICAL CHARACTERISTICS: (Ta=258C)

Para meter Description	Symbol	Unit
Spectral Line half-Width	$\Delta\lambda$	nm
Power Dissipation	Pd	mW
Peak Forward Current (Duty 1/10, @KHz)	If (Peak)	mA
Recommended Operation Current	If (Rec)	mA
Average Luminous intensity (If = 20mA)	Iv	mcd

Micropto S.r.l.
www.micropto.com
5mm Ultra White LED
(GaN)

MAIN FEATURES

- ◆ 5.0mm DIA LED LAMP
- ◆ POPULAR T-1 ¼, 1" LEAD
- ◆ PRICE COMPETITIVE
- ◆ LOW POWER CONSUMPTION

COLOR BIN CODE FOR WHITE LED LAMP

Dominant Wavelength		Forward Voltage
λ_d (nm)		VF(v)
IF=20mA		IF=20mA
C	C/ x1y1(0.23,0.22) x2y2(0.23,0.23) x3y3(0.26,0.23) x4y4(0.26,0.22)	3.0~3.3
D	D/ x1y1(0.23,0.23) x2y2(0.23,0.29) x3y3(0.26,0.29) x4y4(0.26,0.23)	
E	E/ x1y1(0.26,0.26) x2y2(0.26,0.32) x3y3(0.29,0.32) x4y4(0.29,0.26)	3.3~3.6
F	F/ x1y1(0.29,0.29) x2y2(0.29,0.35) x3y3(0.32,0.35) x4y4(0.32,0.29)	3.6~3.8
G	G/ x1y1(0.32,0.32) x2y2(0.32,0.38) x3y3(0.35,0.38) x4y4(0.35,0.32)	

※ BIN SELECT CAN BE CLASSIFY AS CUSTIMER'S DESIGN